

Hearts & Flowers

By Maureen Furniss

I made all the flowers from pastel papers which I had left over from other projects, you can use any pastel colours, or match them with the actual wedding colours. The heart design would make a pretty anniversary card, you could also match the colours to the anniversary.

Materials Required:

Blue Coloured Paper and Blue Shimmer Paper.

Tracing Paper: TR003.

Quilling Paper: 3mm Silver and Yellow, 5mm in Pastel Shades.

Fine Quilling Tool.

Silver String Beads: BEA29.

Gold Label Stickers: XL664U-02 Heart Corners, XL264U-02 Congratulations (similar) and XL478U-02 Wedding Day.

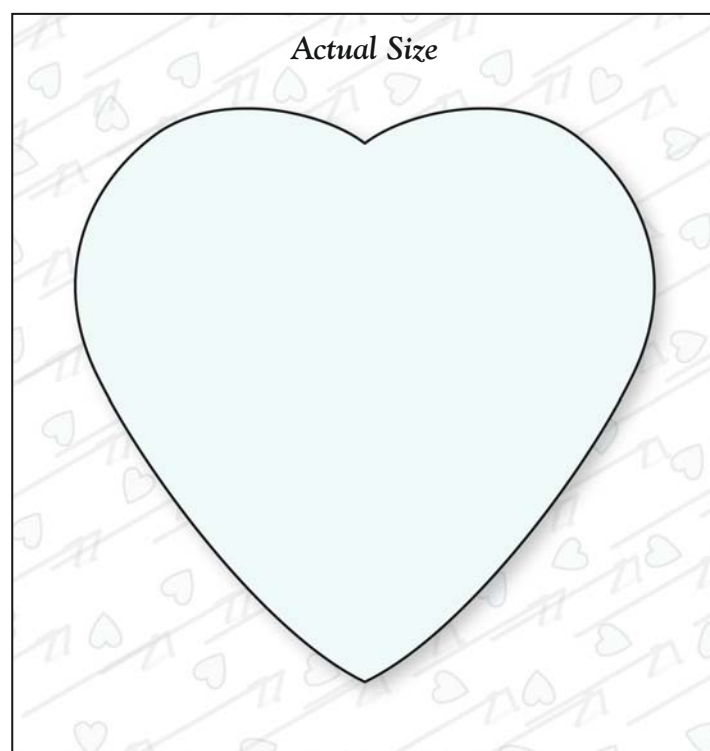
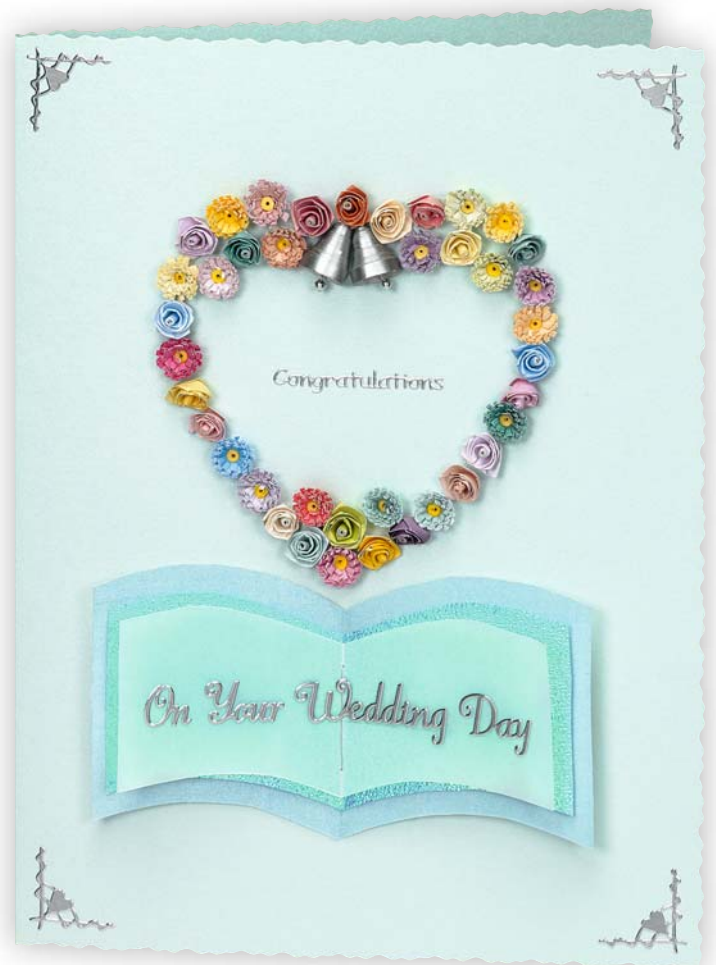
Needle and White Thread.

Tracing Paper and Pencil.

Scissors or Craft Knife.

P.V.A. Craft Adhesive.

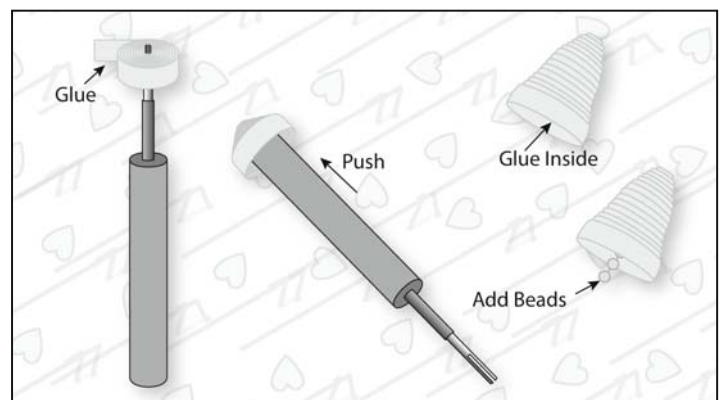
Card Mount: DEC1M-81 Aquamarine.



To Make The Card:

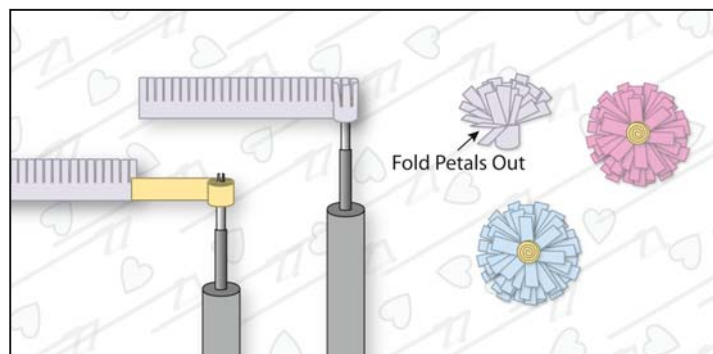
Trace the heart shape from the diagram on the left. Position onto the front panel of the opened out card then retrace the line to indent the card.

Make two silver bells: Use a full length of silver and roll to a tight coil, glue the end before removing from the tool. Press the tool handle or a pencil into the centre of the coil and gently push out to form the bell shape, press slightly to flatten. Cut a length of 3 beads and glue into the centre of the bell.



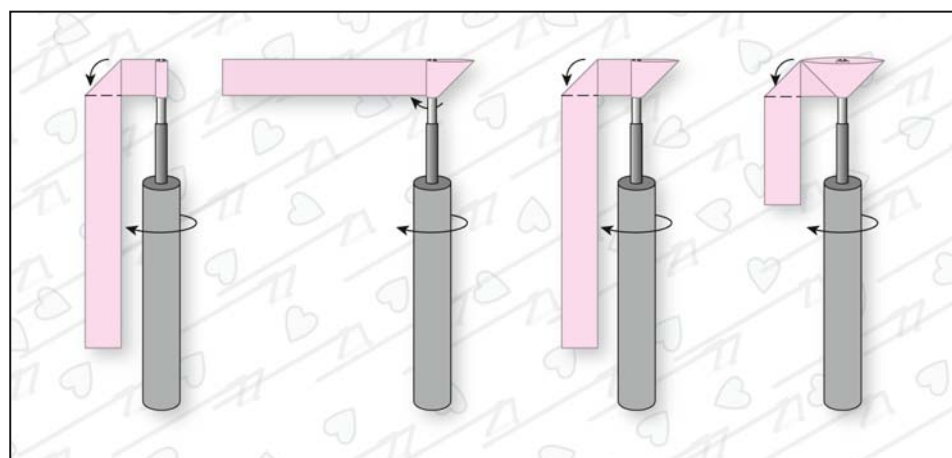
These two bells should be glued at the top centre of the heart you indented onto the card.

The rest of the flowers are daisies and roses, you will need about 20 of each and they should be made in a selection of colours.



Daisy: Use a 25cm length of 5mm coloured paper and fringe along one edge, glue a 5cm length of 3mm yellow paper to the end of this, roll to a tight coil and glue the end before removing from the tool. Once the glue is dry gently press the fringe open.

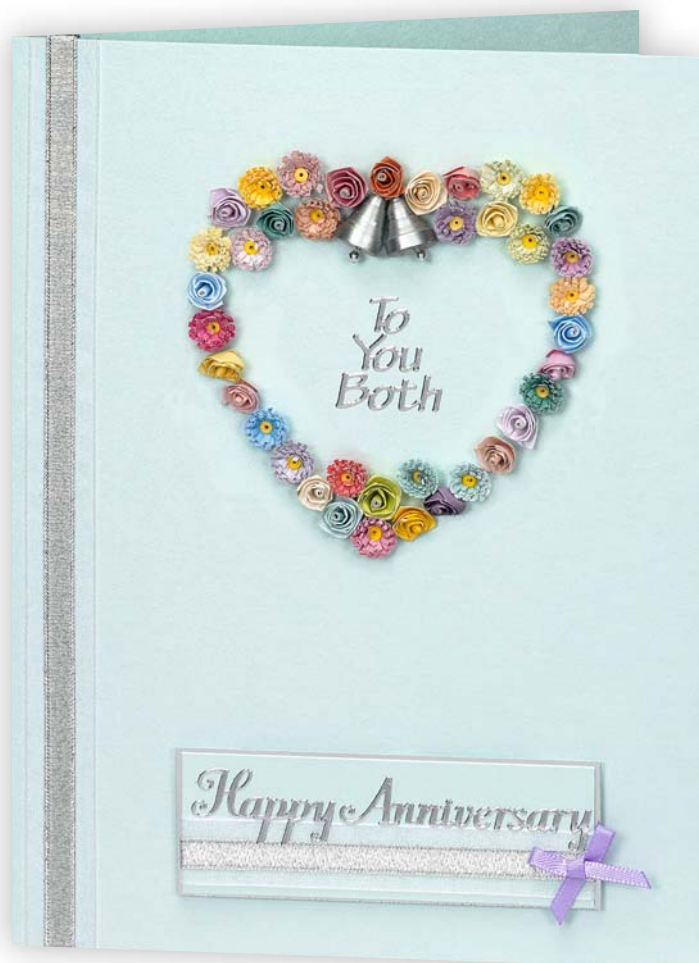
Roses: Use a full length of 5mm paper and wind on a quilling tool for several turns, fold the paper down at a right angle to the tool and then continue winding bringing the edge in line as



you go. Fold down again and wind in the same way until the rose is about 8mm diameter. Glue the end then remove from the tool.

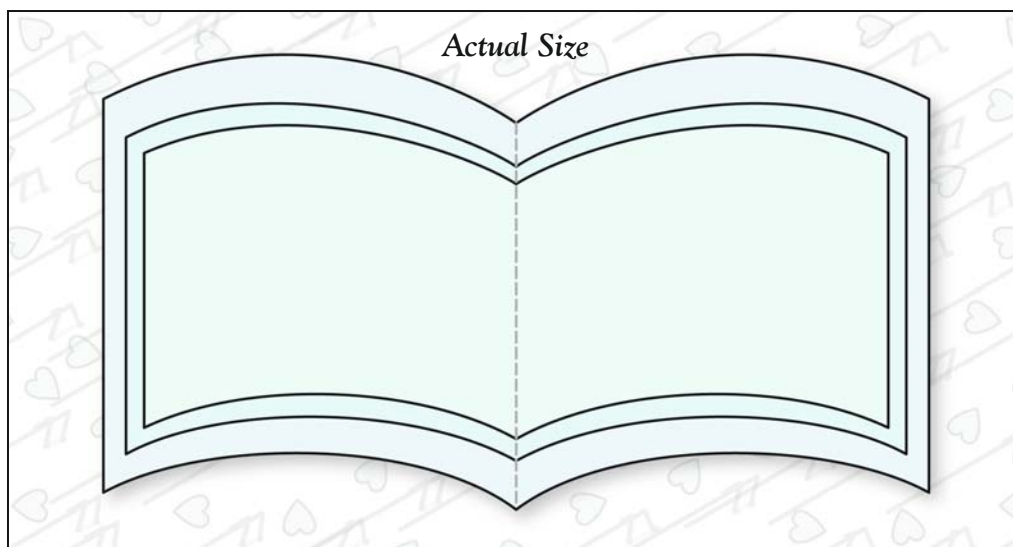
These roses and daisies should be arranged and glued around the indented heart using the photo to guide you.

Trace the book outlines from the diagram and then transfer to the relevant coloured paper, i.e. the



largest on blue, the medium on blue shimmer and the smallest on tracing paper. Cut each of these out and stack before folding in half. Stitch along the fold to hold the book together and then glue into place on the card fixing at the centre only.

Add the wording to the page in the book and inside the heart. Place a peel off corner into each corner of the card.





Craft CREATIONS^{Ltd} Magazine

Hello,

We hope you enjoy this free article taken from a back issue of the Craft Creations Magazine. You may hand make copies of the card(s) featured in this project, to give away or sell, as many times as you like. You may not use the project, text, pattern or pictures for any other purpose nor make the project using any automated process.

All the free articles available for download on our web site are at least one year old. If you want the latest projects, designer profiles, gallery pages and more, then you need to subscribe to the quarterly Craft Creations Magazine.

Subscription Benefits:

- * A free gift with every issue.
- * 10% off every order placed with Craft Creations*.
- * £2.50 off post and packing on orders over £20*.
- * Prize competition in every issue.
- * New product information.

You can subscribe to the quarterly Craft Creations Magazine or purchase any of the back issues from our online shop.

* All Craft Creations Magazine subscribers will receive an additional 10% discount off their orders during their subscription period only. Subscribers will also receive £2.50 off post and packing on orders over £20 (after discount). These benefits are not applicable on certain items such as: Magazine Subscriptions, Gift Vouchers, Products already on Promotion, Special Offers or 'SPOF' packs and cannot be combined with any other vouchers or offers.

Craft Creations Limited
Ingersoll House, Delamare Road, Cheshunt, Hertfordshire, EN8 9HD, England.
Tel: 01992 781900 Fax: 01992 634339

The details above are correct as of 1st April 2008, but are subject to change without prior notice.